

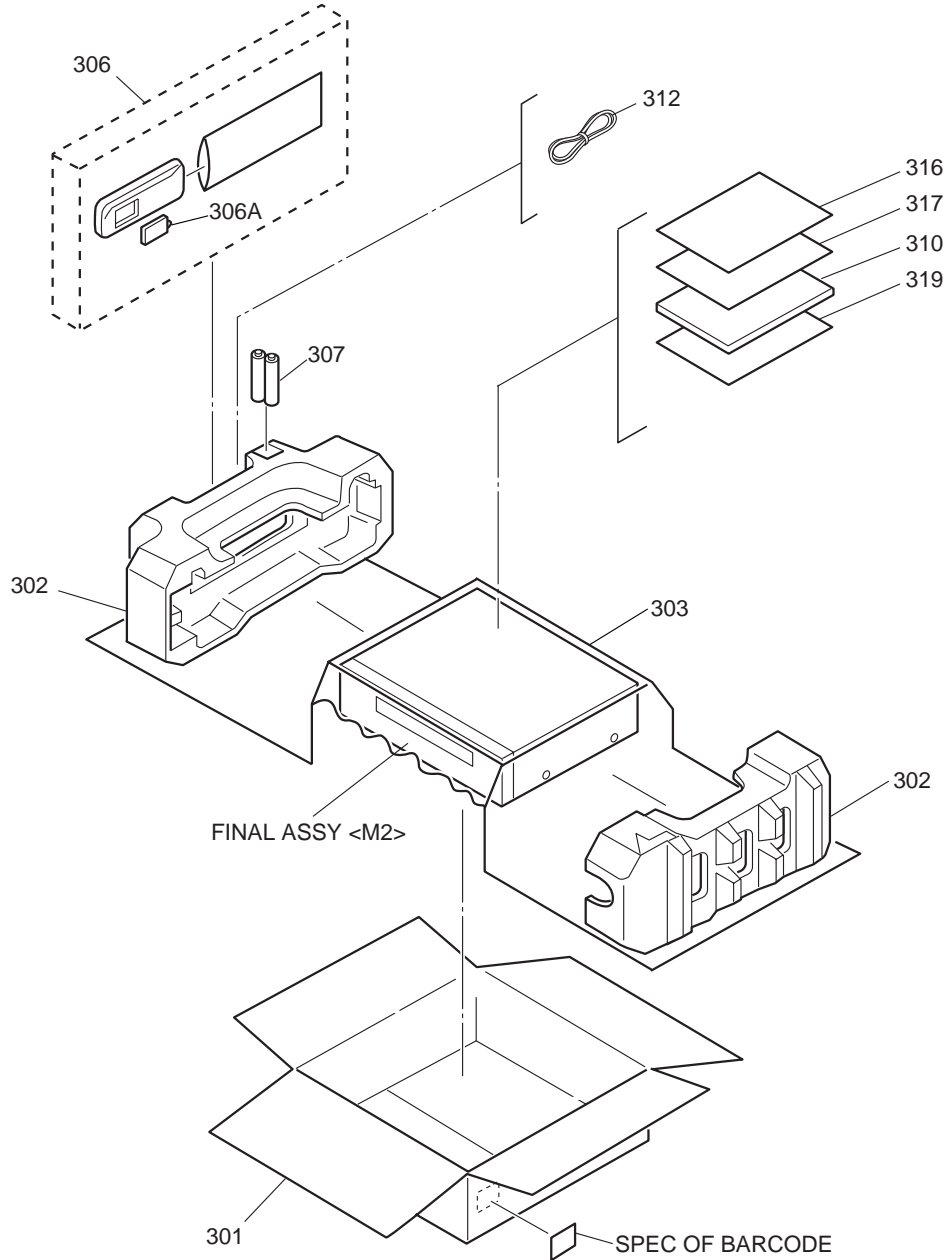
# SECTION 5 PARTS LIST

## SAFETY PRECAUTION

Parts identified by the  $\triangle$  symbol are critical for safety. Replace only with specified part numbers.

### 5.1 PACKING AND ACCESSORY ASSEMBLY <M1>

The instruction manual to be provided with this product will differ according to the destination.

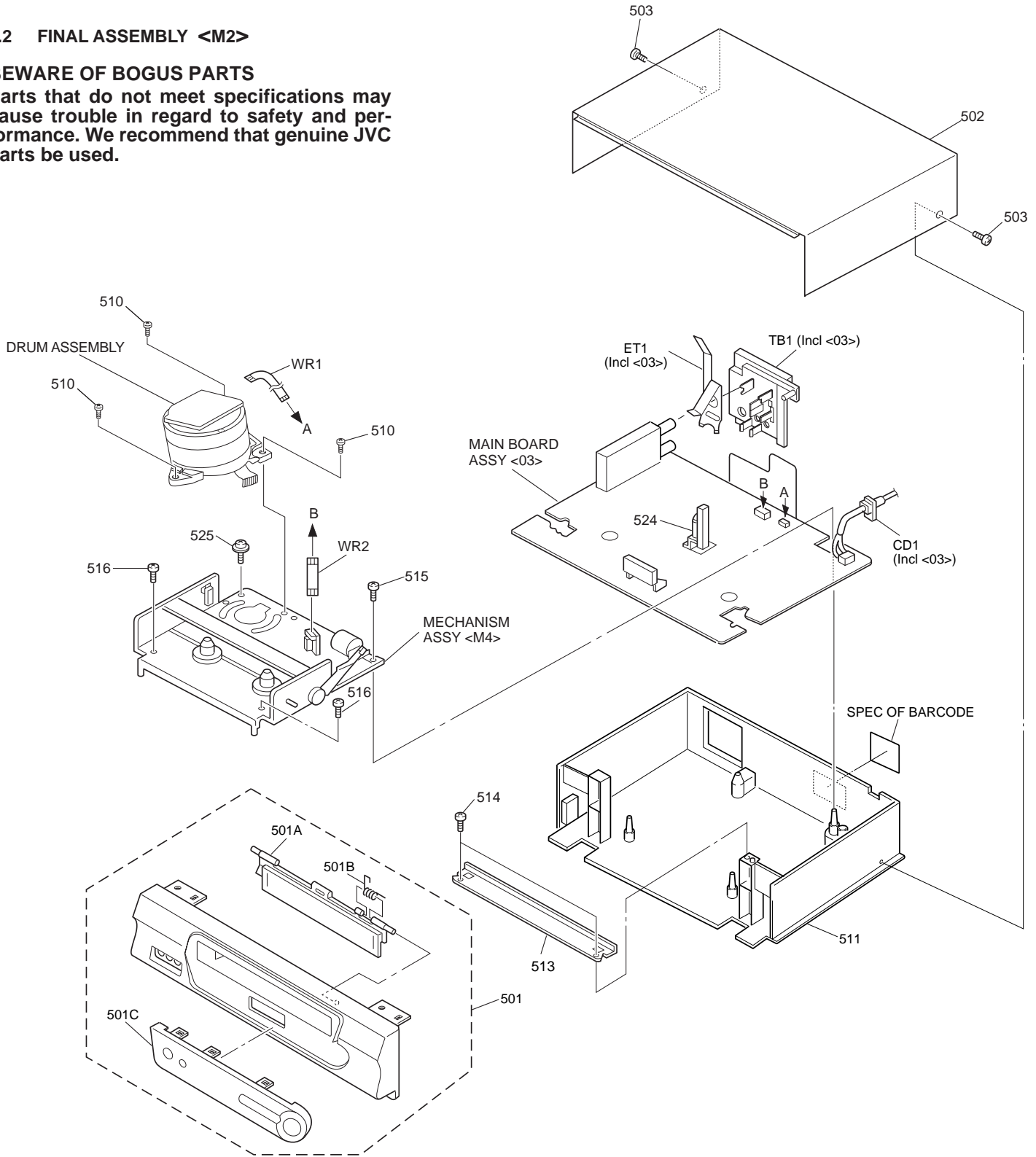


# $\triangle$	REF No.	PART No.	PART NAME, DESCRIPTION	# $\triangle$	REF No.	PART No.	PART NAME, DESCRIPTION
*****							
			<b>PACKING AND ACCESSORY ASSEMBLY &lt;M1&gt;</b>				
	301	LP30836-006A	PACKING CASE		306A	LP40610-001A	COVER(BATTERY)
	302	LP30777-001C	CUSHION ASSY		307	—	BATTERY,X2,("AA"TYPE)
	303	LP30904-002A	SHEET	$\triangle$	310	LPT0497-001A	INST.BOOK(EN)
	306	LP20878-001A	REMOTE CONTROLLER	$\triangle$		LPT0497-003A	INST.BOOK(FR),A37U(C)
					312	PEAC0294-04	RF CABLE
					316	BT-52004-1	WARRANTY CARD,A37U(C)
					317	BT-51020-2	REGIST.CARD,A37U
					319	BT-20071B	SER.NET CARD,A37U(C)

## 5.2 FINAL ASSEMBLY <M2>

### BEWARE OF BOGUS PARTS

Parts that do not meet specifications may cause trouble in regard to safety and performance. We recommend that genuine JVC parts be used.



# ▲ REF No. PART No. PART NAME, DESCRIPTION  
 \*\*\*\*\*

### FINAL ASSEMBLY <M2>

#	▲	REF No.	PART No.	PART NAME, DESCRIPTION
▲	501	LP10348-004A		FRONT PANEL ASSY
		501A	LP20977-002A	CASSETTE DOOR
		501B	PQ46448	TORSION SPRING
		501C	LP20976-004A	DISPLAY WINDOW
▲	502	LP10352-002A		TOP COVER
		503	QYTDSF3010M	SCREW,X2, TOP COVER(SIDE)

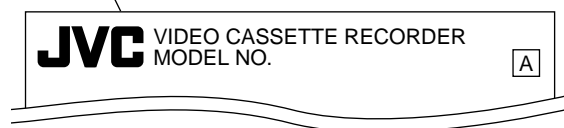
#	▲	REF No.	PART No.	PART NAME, DESCRIPTION
		510	QYTDST2610Z	SCREW,X3,DRUM
▲	511	LP10350-003B		BOTTOM CHASSIS
		513	LP30818-001A	BRACKET(CHASSIS)
		514	QYTDSF3010Z	SCREW,X2,BRACKET
		515	QYTDSF4012Z	SCREW,MECHA
		516	QYTDSF3010Z	SCREW,X2 MECHA
		524	LP40253-001B	STOPPER
		525	PQ40413	SPECIAL SCREW,MECHA
		WR1	QUQ212-0519CG	FFC WIRE,DRUM
		WR2	WJT0005-002A	E-CARD WIRE,A/C HEAD

### 5.3 DRUM ASSEMBLY <M2>

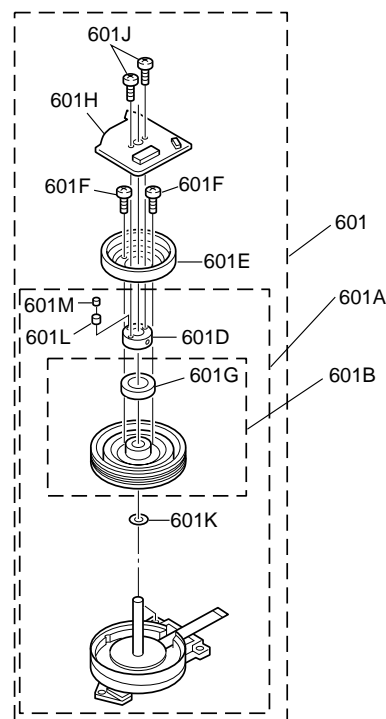
There are 2 types without exchangeability in DRUM ASS'Y in this model.

Please confirm the RATING LABEL on the occasion of the service, because whether is able to judge from the RATING LABEL which type.

RATING LABEL



Designation A



The following table indicate different parts number between Designation A type and Previous type.

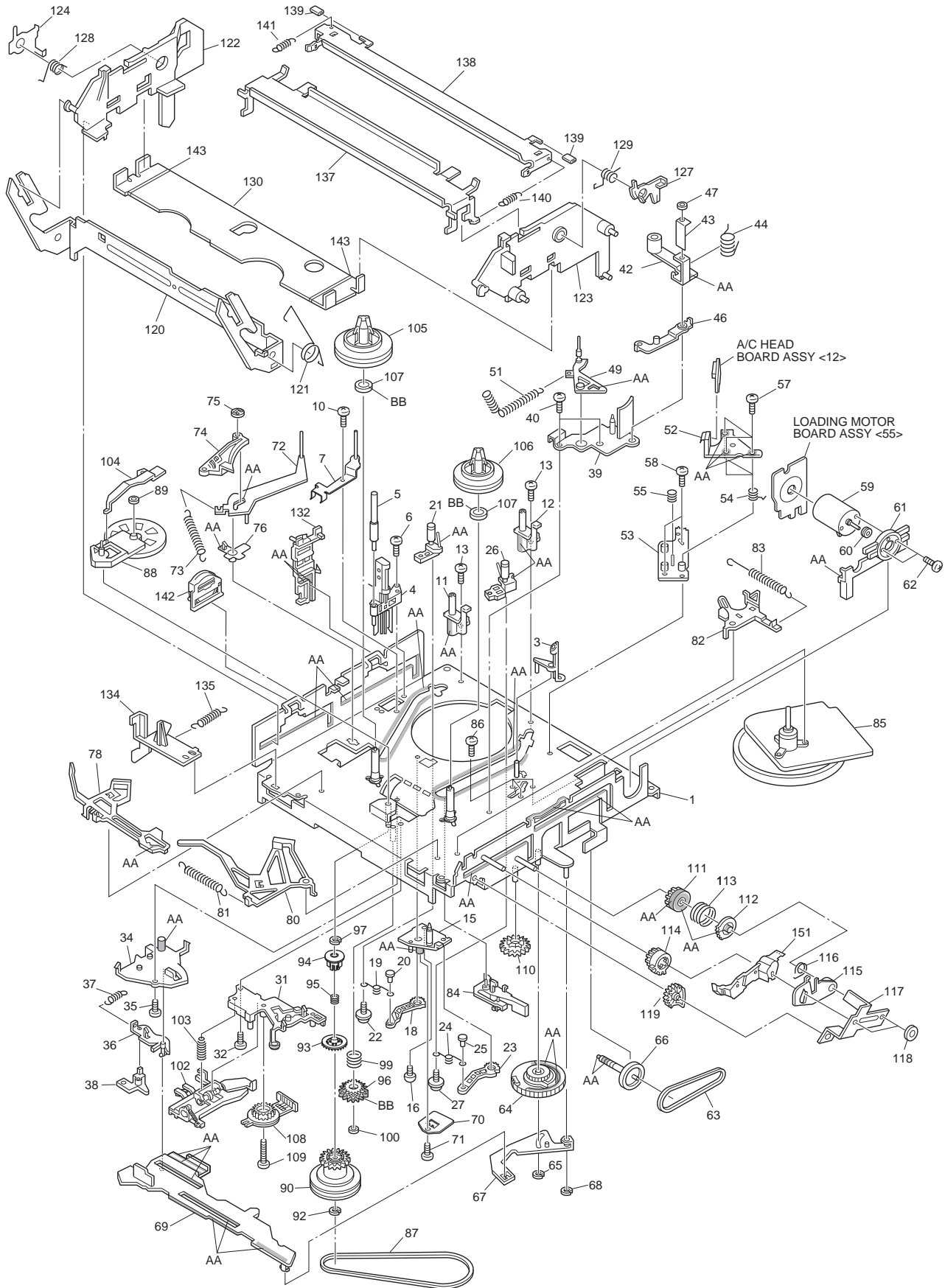
#### DRUM ASSEMBLY PARTS LIST <M2>

REF. NO.	ITEM	MODEL	Previous type	Designation A type
601	DRUM FINAL ASSY		PDV2521A	QAR0115-002
601A	DRUM SUB ASSY		LP20981-006A	*
601B	UPPER DRUM ASSY		LP21011-003A	PZMR95-20019T
601D	COLLAR ASSY		LP40572-001A	PZMR71-00318S
601E	ROTOR ASSY		PDZ0179-1-4	←
601F	SCREW,X2		QYSPSP3006Z	PZ6001-000554
601G	CAP		PDM4439	←
601H	STATOR ASSY		QAR0169-001	QAR0119-001
601J	SCREW,X2		QYSPSPH2606Z	PZ6001-000082
601K	WASHER		PDM4444-19-2	PZMR70-00183A
601L	CONTACT		LP40323-001A	←
601M	COMPRESSION SPRING		LP30004-014A	PZMR67-00020B

Notes : Mark ← is same as left.

Mark \* the With A type DRUM SUB ASSY cannot be provided as service parts.

## 5.4 MECHANISM ASSEMBLY <M4>



Classification	Part No.	Symbol in drawing
Grease	KYODO-SH-P	AA
Oil	COSMO-HV56	BB

**NOTE:**The section marked in **AA** and **BB** indicate lubrication and greasing areas.

#	△ REF No.	PART No.	PART NAME, DESCRIPTION	#	△ REF No.	PART No.	PART NAME, DESCRIPTION
*****							
<b>MECHANISM ASSEMBLY &lt;M4&gt;</b>							
1		LP20821-006A	MAIN DECK ASSY	73		LP30003-010A	TENSION SPRING
3		LP30492-002B	GIDE POLE GUARD	74		LP40109-003D	TENSION BRAKE ASSY
4		NAH0001-001	FULL ERASE HEAD	75		PQ46302-1-3	ADJUST PIN
5		LP40098-001B	GUIDE POLE(SUPPLY)	76		LP30232-002A	TENSION ARM BEARING
6		QYTDST2608Z	SCREW,FE HEAD	78		LP40532-008B	MAIN BRAKE ASSY (SUPPLY)
7		LP40637-002A	TENSION STUD BASE ASSY	80		LP40111-011A	MAIN BRAKE ASSY (TAKE UP)
10		QYTDST2606Z	SCREW	81		LP30003-026A	TENSION SPRING
11		LP30409-002C	UV CATCHER 2	82		LP40112-001F	SUB BRAKE ASSY(TAKE UP)
12		LP30409-002C	UV CATCHER 2	83		LP40357-002A	TENSION SPRING
13		QYTPST2606Z	SCREW,X2	84		LP40461-001A	CAPSTAN BRAKE ASSY
15		LP30223-003C	LOADING ARM GEAR SHAFT	85		QAR0087-005	CAPSTAN MOTOR
16		QYTDST2606Z	SCREW	86		QYTDSF2606M	SCREW,X3
18		LP30224-001B	LOADING ARM GEAR(SUPPLY)	87		LP30005-007A	BELT,CAPSTAN MOTOR
19		LP40099-001A	TORSION ARM	88		LP40114-012A	IDLER ARM ASSY
20		LP40100-001A	PIN	89		LP40599-001A	WASHER
21		LP40101-006A	POLE BASE ASSY(SUPPLY)	90		LP40593-001A	CLUTCH UNIT 3
22		QYSPSTG2606Z	SCREW	92		PQM30017-47	SLIT WASHER
23		LP40103-002B	LOADING ARM GEAR(TAKE UP)	93		LP30696-002A	CLUTCH GEAR 4
24		LP40099-001A	TORSION ARM	94		LP30697-003A	COUPLING GEAR
25		LP40100-001A	PIN	95		LP40554-002A	COMPRESSION SPRING
26		LP40104-006A	POLE BASE ASSY(TAKE UP)	96		LP40442-001A	DIRECT GEAR
27		QYSPSTG2606Z	SCREW	97		LP30017-019A	SPACER
31		LP20233-004B	ROTARY ENCODER GUIDE	99		LP40483-002A	COMPRESSION SPRING
32		QYTPST2606Z	SCREW	100		LP30016-001A	SLIT WASHER
34		LP30226-004E	CONTROL PLATE GUIDE	102		LP40484-001J	CHANGE LEVER ASSY
35		QYTPST2605Z	SCREW	103		LP40512-002B	COMPRESSION SPRING
36		LP30249-003B	TAKE UP LEVER	104		LP30236-002C	IDLER LEVER
37		LP30003-006A	TENSION SPRING	105		LP20237-001B	REEL DISK (SUPPLY)
38		LP40119-002A	TAKE UP HEAD	106		LP20238-001B	REEL DISK (TAKE UP)
39		LP20234-004B	LID GUIDE	107		LP30017-015A	SPACER,X2
40		QYTDST2606Z	SCREW,X2	108		QSW0554-003	ROTARY ENCODER
42		LP40105-002A	PINCH ROLLER ARM ASSY	109		QYTPST2620Z	SCREW
43		LP40478-001A	PINCH ROLLER SHEET2	110		LP30237-002B	CASSETTE GEAR
44		LP40148-002A	TORSION SPRING	111		LP30239-002G	LIMIT GEAR(1)
46		LP40149-001C	PRESS LEVER ASSY	112		LP30240-002G	LIMIT GEAR(2)
47		LP30016-002A	SLIT WASHER	113		LP40136-001E	TORSION SPRING
49		LP40106-007A	GUIDE ARM ASSY	114		LP30242-002A	RELAY GEAR
51		LP40134-002A	TENSION SPRING	115		LP30339-002E	OPENER GUIDE
52		QAH0058-001	AC HEAD	116		LP40545-001A	TORSION SPRING
53		LP30228-001A	HEAD BASE	117		LP40214-001B	C.H.BRACKET
54		LP30004-013A	COMPRESSION SPRING,X3	118		PQM30017-47	SLIT WASHER,X2
55		LP40236-001A	COMPRESSION SPRING	119		LP30243-001D	DRIVE GEAR
57		LP40213-002B	SPECIAL SCREW,X3	120		LP20240-001G	DRIVE ARM
58		QYTDST2608Z	SCREW,X2	121		LP40137-001A	TORSION SPRING
59		QAR0023-001	LOADING MOTOR	122		LP10081-002L	SIDE HOLDER(L)
60		PQ43546-1-2	MOTOR PULLEY	123		LP10082-002M	SIDE HOLDER(R)
61		LP30230-001B	MOTOR GUIDE	124		LP30255-006A	LOCK LEVER(L)
62		QYTPSP3003Z	SCREW,X2	127		LP30256-001H	LOCK LEVER(R)
63		LP30005-003A	BELT,LOADING MOTOR	128		LP40168-003A	TORSION SPRING(L)
64		LP20791-002D	CONTROL CAM	129		LP40218-001B	TORSION SPRING(R)
65		PQM30017-24	SLIT WASHER	130		LP30257-001G	CASSETTE HOLDER
66		LP40120-001A	WORM GEAR	132		LP30244-002G	GUIDE RAIL
67		LP40107-002A	LINK LEVER ASSY	134		LP30245-002F	REC SAFETY LEVE
68		PQM30017-24	SLIT WASHER	135		LP30003-004A	TENSION SPRING
69		LP10201-003E	CONTROL PLATE	137		LP20578-001C	TOP GUIDE
70		LP40379-001B	CONTROL BRACKET(1)	138		LP30500-001C	HOLD PLATE
71		QYTDSF2608M	SCREW	139		LP40450-003A	PAD,X2
72		LP40108-002A	TENSION ARM ASSY	140		LP30003-025B	TENSION SPRING
				141		LP30003-024A	TENSION SPRING
				142		LP40481-003A	ROLLER CAM ASSY
				143		LP30019-014A	PAD,X2
				151		LP20324-003B	DOOR OPENER

## 5.5 ELECTRICAL PARTS LIST

#	△ REF No.	PART No.	PART NAME, DESCRIPTION
*****			
<b>MAIN BOARD ASSEMBLY &lt;03&gt;</b>			
PW		LPA10130-02B1	MAIN BOARD ASSY
IC1		JCP8021-NVD	IC
		or JCP8021-NVD-2	IC
IC3001		MN101D02GWA	IC
		or MN101DP02JAFWA	IC
IC3002		BA6956AN	IC
IC3004		S-24C04BFJ-X	IC
		or BR24C04F-W-X	IC
		or X24C04S-X	IC
		or 24LC04B/SN-X	IC
		or AT24C04N-10SC-X	IC
IC5301		L5431	IC
		or MM1431AT	IC
IC7042		GP1U291Q	IR DETECT UNIT
		or PIC-28143LJ	IR DETECT UNIT
		or PNA4652M00YC	IR DETECT UNIT
Q22		2SC4081/QRS/-X	TRANSISTOR
		or 2PC4081/R/-X	TRANSISTOR
Q32		DTC144WU	TRANSISTOR
		or PDTC144WU	TRANSISTOR
		or RN1309	TRANSISTOR
		or UN521E	TRANSISTOR
Q38		2SC4081/QRS/-X	TRANSISTOR
		or 2PC4081/R/-X	TRANSISTOR
		or 2SD1819A/QRS/-X	TRANSISTOR
Q901		2SA1576A/QRS/-X	TRANSISTOR
		or 2PA1576/R/-X	TRANSISTOR
Q2001		2SC4081/QRS/-X	TRANSISTOR
		or 2PC4081/R/-X	TRANSISTOR
		or 2SD1819A/QRS/-X	TRANSISTOR
Q2002		2SC4081/QRS/-X	TRANSISTOR
		or 2SD1819A/QRS/-X	TRANSISTOR
		or 2PC4081/R/-X	TRANSISTOR
Q2003		DTA144WU	TRANSISTOR
		or PDTA144WU	TRANSISTOR
		or RN2309	TRANSISTOR
		or UN511E	TRANSISTOR
Q2051		2SC4081/QRS/-X	TRANSISTOR
		or 2PC4081/R/-X	TRANSISTOR
		or 2SD1819A/QRS/-X	TRANSISTOR
Q2052		2SA1576A/QR/-X	TRANSISTOR
		or 2SB1218A/QR/-X	TRANSISTOR
		or 2PA1576/R/-X	TRANSISTOR
Q2053		DTC144WU	TRANSISTOR
		or PDTC144WU	TRANSISTOR
		or RN1309	TRANSISTOR
		or UN521E	TRANSISTOR
Q2054		2SA1576A/QR/-X	TRANSISTOR
		or 2PA1576/R/-X	TRANSISTOR
		or 2SB1218A/QR/-X	TRANSISTOR
Q2055		DTC144WU	TRANSISTOR
		or PDTC144WU	TRANSISTOR
		or RN1309	TRANSISTOR
		or UN521E	TRANSISTOR
Q3002		PTZ-NV16A	PHOTO TRANSISTOR
Q3006		2SC4081/QRS/-X	TRANSISTOR
Q3007		2SC4081/QRS/-X	TRANSISTOR

#	△ REF No.	PART No.	PART NAME, DESCRIPTION
Q4001		UN5211	TRANSISTOR
		or PDTC114EU	TRANSISTOR
		or RN1302	TRANSISTOR
		or DTC114EU	TRANSISTOR
Q4002		2SD1819A/QRS/-X	TRANSISTOR
		or 2SC4081/QRS/-X	TRANSISTOR
		or 2PC4081/R/-X	TRANSISTOR
Q5101		2SK2043-CB14	FE TRANSISTOR
		or 2SK2043	FE TRANSISTOR
		or 2SK2324	POWER MOS FET
		or 2SK2324-LT	POWER MOS FET
Q5102		2SD2144S/UV/-T	TRANSISTOR
Q5303		2SD1819A/RS/-X	TRANSISTOR
		or 2PC4081/R/-X	TRANSISTOR
		or 2SC4081/RS/-X	TRANSISTOR
Q5304		2SD2144S/UV/-T	TRANSISTOR
Q5305		DTA114EU	TRANSISTOR
		or PDTA114EU	TRANSISTOR
		or RN2302	TRANSISTOR
		or UN5111	TRANSISTOR
Q5306		DTC114EU	TRANSISTOR
		or PDTC114EU	TRANSISTOR
		or RN1302	TRANSISTOR
		or UN5211	TRANSISTOR
Q5321		2SC3616/ML/-T	TRANSISTOR
Q6030		2SB1218A/QR/-X	TRANSISTOR
		or 2PA1576/R/-X	TRANSISTOR
		or 2SA1576A/QR/-X	TRANSISTOR
Q7001		DTA143TU	TRANSISTOR
Q7002		DTA143TU	TRANSISTOR
Q7003		DTA143TU	TRANSISTOR
Q7004		DTA143TU	TRANSISTOR
Q7005		DTA143TU	TRANSISTOR
Q7006		DTC143TU	TRANSISTOR
Q7007		DTC143TU	TRANSISTOR
Q7008		DTC143TU	TRANSISTOR
Q7009		DTC143TU	TRANSISTOR
Q7010		DTC143TU	TRANSISTOR
Q7011		DTC143TU	TRANSISTOR
Q7012		DTC143TU	TRANSISTOR
D3001		LNB2301L01VI	LE DIODE
D3002		1SS133	DIODE
		or 1SS270A	DIODE
D3005		11ES2	DIODE
		or 1A3G	DIODE
D3016		MTZJ3.9B	ZENER DIODE
		or RD3.9ES/B2/-T2	ZENER DIODE
D5001		S1WB/A/60-4102	BRIDGE DIODE
		or S1WB/A/60-X	BRIDGE DIODE
		or S1WB(A)60F4072X	BRIDGE DIODE
D5101		AU01	FR DIODE
		or ERA18-04-T2	FR DIODE
		or 1SR153-400-T2	FR DIODE
		or 10ELS4	FR DIODE
D5102		AU01	FR DIODE
		or ERA18-04-T2	FR DIODE
		or 10ELS4	FR DIODE
		or 1SR153-400-T2	FR DIODE
D5103		1SS133	DIODE
		or 1SS270A	DIODE
D5105		1SS133	DIODE



#	REF No.	PART No.	PART NAME, DESCRIPTION	#	REF No.	PART No.	PART NAME, DESCRIPTION
		or 1SS270A	DIODE	R2018		NRSA63J-472X	MG RESISTOR 4.7kΩ,1/16W
D5203		AU01Z	FR DIODE	R2019		NRSA63J-472X	MG RESISTOR 4.7kΩ,1/16W
		or ERA18-02-T2	FR DIODE	R2024		NRSA63J-332X	MG RESISTOR 3.3kΩ,1/16W
		or PG104RS	FR DIODE	R2053		NRSA63J-272X	MG RESISTOR 2.7kΩ,1/16W
		or 1SR153-400-T2	FR DIODE	R2054		NRSA02J-123X	MG RESISTOR 12kΩ,1/10W
		or 10ELS2	FR DIODE	R2055		NRSA02J-3R3X	MG RESISTOR 3.3Ω,1/10W
D5204		AU01Z	FR DIODE	R2056		NRSA02J-820X	MG RESISTOR 82Ω,1/10W
		or ERA18-02-T2	FR DIODE	R2057		NRSA02J-473X	MG RESISTOR 47kΩ,1/10W
		or PG104RS	FR DIODE	R2058		NRSA02J-183X	MG RESISTOR 18kΩ,1/10W
		or 1SR153-400-T2	FR DIODE	R2059		NRSA02J-473X	MG RESISTOR 47kΩ,1/10W
		or 10ELS2	FR DIODE	R2060		NRSA02J-183X	MG RESISTOR 18kΩ,1/10W
D5207		AK04	DIODE	R3001		NRSA02J-0R0X	MG RESISTOR 0Ω,1/10W
		or 1S4	SB DIODE	R3017		NRSA02J-0R0X	MG RESISTOR 0Ω,1/10W
		or 11EQS04	SB DIODE	R3018		NRSA02J-0R0X	MG RESISTOR 0Ω,1/10W
D5210		AU01Z	FR DIODE	R3028		NRSA63J-102X	MG RESISTOR 1kΩ,1/16W
		or PG104RS	FR DIODE	R3056		NRSA02J-102X	MG RESISTOR 1kΩ,1/10W
		or 10ELS2	FR DIODE	R3057		NRSA02J-102X	MG RESISTOR 1kΩ,1/10W
		or ERA18-02-T2	FR DIODE	R3060		NRSA02J-0R0X	MG RESISTOR 0Ω,1/10W
		or 1SR153-400-T2	FR DIODE	R3090		NRSA02J-102X	MG RESISTOR 1kΩ,1/10W
D5301		MTZJ15C	ZENER DIODE	R3114		QRE141J-0R0Y	RESISTOR 0Ω,1/4W
		or RD15ES/B3/-T2	ZENER DIODE	R3116		NRSA02J-103X	MG RESISTOR 10kΩ,1/10W
D5303		RD5.1JS/B2/-T2	ZENER DIODE	R3117		NRSA02J-103X	MG RESISTOR 10kΩ,1/10W
		or MA4051N/M/-T2	ZENER DIODE	R3201		NRSA02J-332X	MG RESISTOR 3.3kΩ,1/10W
D5304		1SS133	DIODE	R3206		NRSA02J-103X	MG RESISTOR 10kΩ,1/10W
		or 1SS270A	DIODE	R3207		NRSA02J-103X	MG RESISTOR 10kΩ,1/10W
D6002		HZ30-2L-T2	ZENER DIODE	R3208		NRSA02J-103X	MG RESISTOR 10kΩ,1/10W
		or HZ30-2LTD	Z DIODE (M)	R3209		QRE141J-181Y	RESISTOR 180Ω,1/4W
R1		NRSA63J-682X	MG RESISTOR 6.8kΩ,1/16W	R3211		NRSA02J-183X	MG RESISTOR 18kΩ,1/10W
R2		NRSA63J-152X	MG RESISTOR 1.5kΩ,1/16W	R3212		NRSA02J-181X	MG RESISTOR 180Ω,1/10W
R3		NRSA63J-822X	MG RESISTOR 8.2kΩ,1/16W	R3213		QRE141J-273Y	RESISTOR 27kΩ,1/4W
R6		NRSA63J-273X	MG RESISTOR 27kΩ,1/16W	R3214		NRSA02J-181X	MG RESISTOR 180Ω,1/10W
R7		NRSA63J-821X	MG RESISTOR 820Ω,1/16W	R3215		NRSA02J-273X	MG RESISTOR 27kΩ,1/10W
R8		NRSA63J-0R0X	MG RESISTOR 0Ω,1/16W	R3216		NRSA02J-474X	MG RESISTOR 470kΩ,1/10W
R9		NRSA63J-0R0X	MG RESISTOR 0Ω,1/16W	R3217		NRSA02J-334X	MG RESISTOR 330kΩ,1/10W
R37		NRSA63J-0R0X	MG RESISTOR 0Ω,1/16W	R3218		NRSA02J-562X	MG RESISTOR 5.6kΩ,1/10W
R49		NRSA63J-561X	MG RESISTOR 560Ω,1/16W	R3219		QRE141J-103Y	RESISTOR 10kΩ,1/4W
R66		NRSA63J-104X	MG RESISTOR 100kΩ,1/16W	R3220		NRSA02J-562X	MG RESISTOR 5.6kΩ,1/10W
R77		NRSA63J-103X	MG RESISTOR 10kΩ,1/16W	R3222		NRSA02J-471X	MG RESISTOR 470Ω,1/10W
R90		NRSA63J-471X	MG RESISTOR 470Ω,1/16W	R3223		NRSA63J-105X	MG RESISTOR 1MΩ,1/16W
R92		NRSA63J-152X	MG RESISTOR 1.5kΩ,1/16W	R3224		NRSA63J-101X	MG RESISTOR 100Ω,1/16W
R93		NRSA63J-102X	MG RESISTOR 1kΩ,1/16W	R3226		NRSA02J-103X	MG RESISTOR 10kΩ,1/10W
R104		NRSA63J-682X	MG RESISTOR 6.8kΩ,1/16W	R3227		NRSA02J-103X	MG RESISTOR 10kΩ,1/10W
R118		NRSA63J-0R0X	MG RESISTOR 0Ω,1/16W	R3237		NRSA02J-472X	MG RESISTOR 4.7kΩ,1/10W
R201		NRSA02J-332X	MG RESISTOR 3.3kΩ,1/10W	R3238		NRSA02J-472X	MG RESISTOR 4.7kΩ,1/10W
R202		NRSA02J-222X	MG RESISTOR 2.2kΩ,1/10W	R3242		NRSA02J-0R0X	MG RESISTOR 0Ω,1/10W
R901		NRSA02J-750X	MG RESISTOR 75Ω,1/10W	R3243		NRSA02J-681X	MG RESISTOR 680Ω,1/10W
R904		QRE123J-331X	RESISTOR 330Ω,1/2W	R3244		NRSA02J-331X	MG RESISTOR 330Ω,1/10W
R905		NRSA02J-101X	MG RESISTOR 100Ω,1/10W	R3245		NRSA02J-682X	MG RESISTOR 6.8kΩ,1/10W
R912		NRSA02J-750X	MG RESISTOR 75Ω,1/10W	R4001		QRE141J-222Y	RESISTOR 2.2kΩ,1/4W
R2001		NRSA02J-101X	MG RESISTOR 100Ω,1/10W	R4002		QRE141J-562Y	RESISTOR 5.6kΩ,1/4W
R2003		NRSA02J-681X	MG RESISTOR 680Ω,1/10W	R4003		NRSA02J-222X	MG RESISTOR 2.2kΩ,1/10W
R2004		NRSA02J-272X	MG RESISTOR 2.7kΩ,1/10W	R4004		QUY160-100Y	IM BUS WIRE
R2005		NRSA02J-333X	MG RESISTOR 33kΩ,1/10W	R4006		NRSA02J-472X	MG RESISTOR 4.7kΩ,1/10W
R2006		NRSA02J-473X	MG RESISTOR 47kΩ,1/10W	R4010		NRSA02J-471X	MG RESISTOR 470Ω,1/10W
R2008		NRSA02J-473X	MG RESISTOR 47kΩ,1/10W	R4011		NRSA02J-471X	MG RESISTOR 470Ω,1/10W
R2009		NRSA02J-682X	MG RESISTOR 6.8kΩ,1/10W	R4012		NRSA02J-153X	MG RESISTOR 15kΩ,1/10W
R2013		NRSA63J-682X	MG RESISTOR 6.8kΩ,1/16W	R4013		NRSA02J-102X	MG RESISTOR 1kΩ,1/10W
R2014		NRSA63J-224X	MG RESISTOR 220kΩ,1/16W	R4018		NRSA02J-103X	MG RESISTOR 10kΩ,1/10W
R2015		NRSA63J-181X	MG RESISTOR 180Ω,1/16W	R4019		NRSA02J-102X	MG RESISTOR 1kΩ,1/10W
R2016		NRSA63J-473X	MG RESISTOR 47kΩ,1/16W	R4020		NRSA02J-102X	MG RESISTOR 1kΩ,1/10W
R2017		NRSA63J-123X	MG RESISTOR 12kΩ,1/16W	R4021		NRSA02J-103X	MG RESISTOR 10kΩ,1/10W

#	△ REF No.	PART No.	PART NAME, DESCRIPTION	#	△ REF No.	PART No.	PART NAME, DESCRIPTION
		R4024	QRE141J-103Y RESISTOR 10kΩ,1/4W			C6	NCB11EK-104X CAPACITOR 0.1μF,25V
△		R5001	QRZ9046-475Z RESISTOR 4.7MΩ			C7	NCB21HK-471X CAPACITOR 470pF,50V
		R5101	QRE141J-224Y RESISTOR 220kΩ,1/4W			C8	NCB31CK-104X CAPACITOR 0.1μF,16V
		R5102	QRE141J-224Y RESISTOR 220kΩ,1/4W			C9	NCB31EK-103X CAPACITOR 0.01μF,25V
		R5103	QRE141J-683Y RESISTOR 68kΩ,1/4W			C10	NDC31HJ-151X CAPACITOR 150pF,50V
		R5104	QRG02GJ-683 OMF RESISTOR 68kΩ,2W			C11	NCB31CK-104X CAPACITOR 0.1μF,16V
		R5106	QRT01DJ-R39X MF RESISTOR 0.39Ω,1W			C12	NDC31HJ-330X CAPACITOR 33pF,50V
		R5107	QRE121J-331Y RESISTOR 330Ω,1/2W			C14	NCB31CK-104X CAPACITOR 0.1μF,16V
		R5108	NRSA02J-122X MG RESISTOR 1.2kΩ,1/10W			C15	NCB31EK-103X CAPACITOR 0.01μF,25V
		R5109	QRE141J-681Y RESISTOR 680Ω,1/4W			C16	NCB31CK-104X CAPACITOR 0.1μF,16V
		R5110	NRSA02J-224X MG RESISTOR 220kΩ,1/10W			C17	QEKJ1HM-335 E CAPACITOR 3.3μF,50V
		R5111	NRSA02J-821X MG RESISTOR 820Ω,1/10W			C19	QEKJ1HM-225 E CAPACITOR 2.2μF,50V
		R5112	NRSA02J-221X MG RESISTOR 220Ω,1/10W			C20	QEKJ1HM-105 E CAPACITOR 1μF,50V
		R5301	NRSA02J-472X MG RESISTOR 4.7kΩ,1/10W			C21	NCB31CK-104X CAPACITOR 0.1μF,16V
		R5302	NRSA02J-152X MG RESISTOR 1.5kΩ,1/10W			C22	QEKJ0JM-476 E CAPACITOR 47μF,6.3V
		R5303	NRSA02J-152X MG RESISTOR 1.5kΩ,1/10W			C23	NCB31CK-223X CAPACITOR 0.022μF,16V
		R5304	NRSA02J-471X MG RESISTOR 470Ω,1/10W			C24	QCFB1HZ-104 CAPACITOR 0.1μF,50V
		R5305	NRSA02J-102X MG RESISTOR 1kΩ,1/10W			C25	NDC31HJ-5R0X CAPACITOR 5pF,50V
		R5306	NRSA02J-471X MG RESISTOR 470Ω,1/10W			C26	NCB31CK-223X CAPACITOR 0.022μF,16V
		R5308	NRSA02J-471X MG RESISTOR 470Ω,1/10W			C27	NCB31EK-223X CAPACITOR 0.022μF,25V
		R5309	NRSA02J-103X MG RESISTOR 10kΩ,1/10W			C28	QEKJ1HM-335 E CAPACITOR 3.3μF,50V
		R5310	NRSA02J-471X MG RESISTOR 470Ω,1/10W			C29	NCB31EK-472X CAPACITOR 0.0047μF,25V
		R5311	NRSA02J-473X MG RESISTOR 47kΩ,1/10W			C30	QEKJ1HM-474 E CAPACITOR 0.47μF,50V
		R5312	NRVA02D-332X CMF RESISTOR 3.3kΩ,1/10W			C31	QEKJ0JM-476 E CAPACITOR 47μF,6.3V
		R5313	NRVA02D-362X CMF RESISTOR 3.6kΩ,1/10W			C32	QDYB1CM-103Y CAPACITOR 0.01μF,16V
		R5314	NRSA02J-332X MG RESISTOR 3.3kΩ,1/10W			C33	QEKJ1HM-225 E CAPACITOR 2.2μF,50V
		R5316	NRVA02D-822X CMF RESISTOR 8.2kΩ,1/10W			C34	NCB21EK-104X CAPACITOR 0.1μF,25V
		R5332	QRE141J-222Y RESISTOR 2.2kΩ,1/4W			C35	NCB31CK-333X CAPACITOR 0.033μF,16V
		R6020	NRSA02J-102X MG RESISTOR 1kΩ,1/10W			C36	QEKJ1EM-475 E CAPACITOR 4.7μF,25V
		R6021	NRSA02J-102X MG RESISTOR 1kΩ,1/10W			C37	QEKJ1EM-475 E CAPACITOR 4.7μF,25V
		R6030	NRSA02J-332X MG RESISTOR 3.3kΩ,1/10W			C38	QEKJ0JM-476 E CAPACITOR 47μF,6.3V
		R6032	NRSA02J-153X MG RESISTOR 15kΩ,1/10W			C39	NCB31CK-223X CAPACITOR 0.022μF,16V
		R6033	NRSA02J-103X MG RESISTOR 10kΩ,1/10W			C40	QEKJ1CM-106 E CAPACITOR 10μF,16V
		R6054	NRSA02J-102X MG RESISTOR 1kΩ,1/10W			C51	QERF1HM-105 E CAPACITOR 1μF,50V
		R7001	QRE141J-331Y RESISTOR 330Ω,1/4W			C54	NRSA63J-0R0X MG RESISTOR 0Ω,1/16W
		R7002	NRSA02J-331X MG RESISTOR 330Ω,1/10W			C62	NCB31CK-104X CAPACITOR 0.1μF,16V
		R7003	NRSA02J-331X MG RESISTOR 330Ω,1/10W			C109	NCB31AK-224X CAPACITOR 0.22μF,10V
		R7004	NRSA02J-331X MG RESISTOR 330Ω,1/10W			C110	NDC31HJ-331X CAPACITOR 330pF,50V
		R7005	NRSA63J-331X MG RESISTOR 330Ω,1/16W			C201	QERF0JM-476 E CAPACITOR 47μF,6.3V
		R7006	NRSA02J-331X MG RESISTOR 330Ω,1/10W			C202	NCB21EK-223X CAPACITOR 0.022μF,25V
		R7007	NRSA63J-331X MG RESISTOR 330Ω,1/16W			C203	QERF1HM-105 E CAPACITOR 1μF,50V
		R7020	NRSA02J-103X MG RESISTOR 10kΩ,1/10W			C205	NDC21HJ-101X CAPACITOR 100pF,50V
		R7021	NRSA02J-122X MG RESISTOR 1.2kΩ,1/10W			C207	NCF21CZ-105X CAPACITOR 1μF,16V
		R7022	NRSA02J-182X MG RESISTOR 1.8kΩ,1/10W			C208	NRSA02J-0R0X MG RESISTOR 0Ω,1/10W
		R7023	NRSA02J-222X MG RESISTOR 2.2kΩ,1/10W			C210	NRSA02J-0R0X MG RESISTOR 0Ω,1/10W
		R7024	NRSA02J-272X MG RESISTOR 2.7kΩ,1/10W			C901	QETN0JM-477 E CAPACITOR 470μF,6.3V
		R7030	NRSA02J-103X MG RESISTOR 10kΩ,1/10W			C904	NCB21EK-223X CAPACITOR 0.022μF,25V
		R7031	NRSA02J-122X MG RESISTOR 1.2kΩ,1/10W			C2001	QEKJ1HM-475 E CAPACITOR 4.7μF,50V
		R7032	NRSA02J-182X MG RESISTOR 1.8kΩ,1/10W			C2002	QEKJ1HM-105 E CAPACITOR 1μF,50V
		R7033	NRSA02J-222X MG RESISTOR 2.2kΩ,1/10W			C2003	QEKJ0JM-476 E CAPACITOR 47μF,6.3V
		R7034	NRSA02J-272X MG RESISTOR 2.7kΩ,1/10W			C2005	QEKJ1HM-475 E CAPACITOR 4.7μF,50V
		R7035	NRSA02J-472X MG RESISTOR 4.7kΩ,1/10W			C2006	NCB31EK-123X CAPACITOR 0.012μF,25V
		R7036	NRSA02J-682X MG RESISTOR 6.8kΩ,1/10W			C2007	QEKJ1CM-226 E CAPACITOR 22μF,16V
		R7037	NRSA02J-563X MG RESISTOR 56kΩ,1/10W			C2008	QEKJ1HM-475 E CAPACITOR 4.7μF,50V
		R7172	NRSA02J-0R0X MG RESISTOR 0Ω,1/10W			C2009	NCB31HK-102X CAPACITOR 0.001μF,50V
		B7009	NRSA02J-0R0X MG RESISTOR 0Ω,1/10W			C2010	NCB31HK-222X CAPACITOR 0.0022μF,50V
		C1	NCF31AZ-105X CAPACITOR 1μF,10V			C2011	QEKJ1HM-475 E CAPACITOR 4.7μF,50V
		C2	NCF31AZ-105X CAPACITOR 1μF,10V			C2012	QEKJ1HM-475 E CAPACITOR 4.7μF,50V
		C3	NCF31AZ-105X CAPACITOR 1μF,10V			C2051	QCB11HK-331 CAPACITOR 330pF,50V
		C4	NCF31AZ-105X CAPACITOR 1μF,10V			C2052	QFN31HJ-823 F CAPACITOR 0.082μF,50V
		C5	QEK1CM-476 E CAPACITOR 47μF,16V			C2053	NCB21HK-472X CAPACITOR 0.0047μF,50V





